

# Plan Hanger Stand

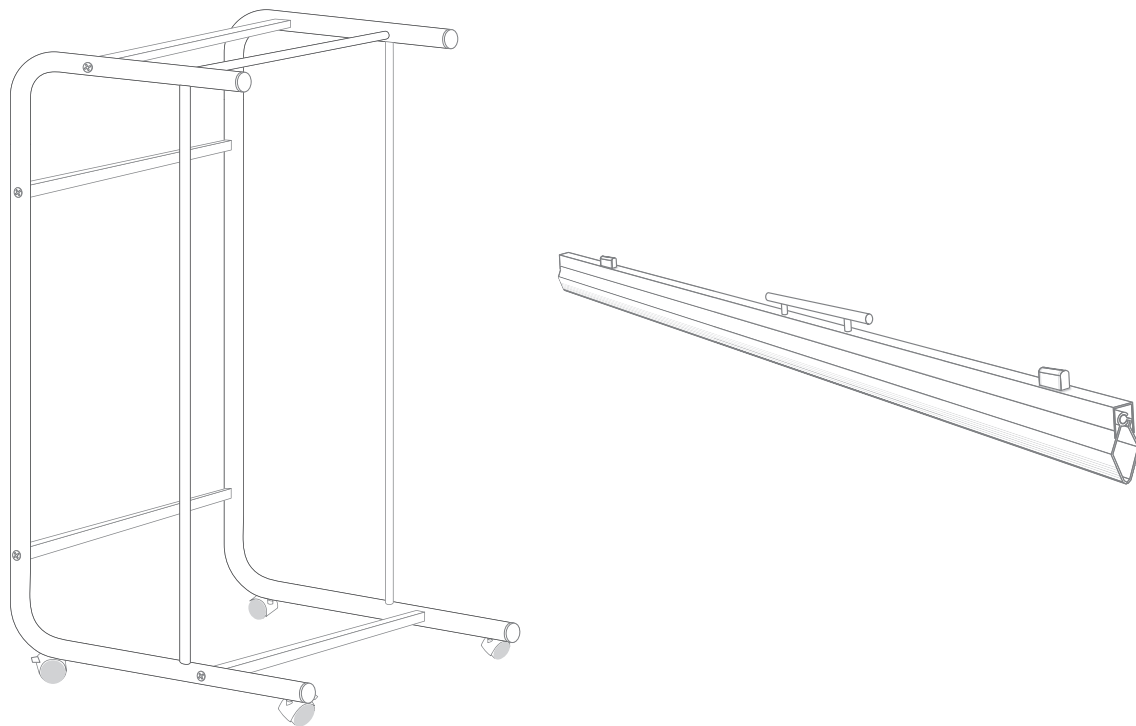
**KALBOARD®**  
*Educational, Visual & Business Aids Producers*



**Versatile System, economical and space saving for engineers to keep their plans and drawings**

## Features

- Suitable for project plans in office or Site Office
- Economical and space saving
- Powder coated metal stand in gray color



## Technical Details

<b>Stand dimensions</b>	Option 1	<b>(12 clamps):</b> 140 cm (H) x 55 cm (W) x 75 cm (D).
	Option 2	<b>(20 clamps):</b> 140 cm (H) x 75 cm (W) x 55 cm (D).
<b>Stand</b>	Powder coated metal in grey color with 4 castors	
<b>Capacity</b>	12 or 20 plan clamps.	
<b>Plan Clamp</b>	Aluminum 88 cm width.	
	Firm hold with a knob for easy opening and closing.	